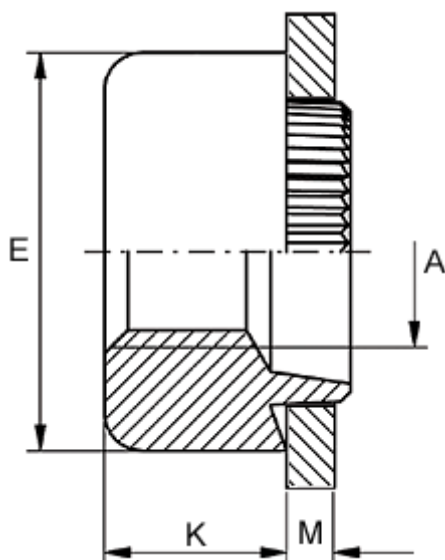


Article number: 12703000035100

Description: KLEE-coil 703 000 035.100
M3,5 Unhardened

Measures



Female thread A	= M3,5
Height K	= 4.0
Outer diameter E	= 10.0
Plate thickness	= 0.8
Recommended bore diameter for extreme load	= 7.0
Recommended bore diameter for normal use	= 7.0